

Bracket-Mount 18W LED Cockpit Flood Light

The brightest and most compact marine grade spreader lights available. Imtra's 18W LED Cockpit Flood Lights significantly outperform others in the same category. It does this with six (6) of the industry's brightest and smallest 3W PowerLEDs, which have brighter output and super-low power draw. This is a marine-grade, quality fixture that features constant-current drive circuitry & a robust electrostatically applied marine-grade white finish. Small and low profile, yet brighter than much bulkier 100W incandescent spreader lamps. Use this fixture as a deck light, spreader light, or security light. Its smooth profile and full articulation makes it perfect for mounting on spreaders, cabin tops, arches, or radar pedestals. All mounting hardware is included, and is made from certified 316 stainless steel, for long-life and functionality in the marine environment.



Photo: Seaswirl Boats



ILSL-1806F



ILSL-1806FB

FEATURES

- High power Epistar 6 x 3W LED chipset
- Low copper ADS 12 die-cast aluminum housing
- 316 stainless steel mounting bracket
- 1,050 lumens
- Durable electrostatically applied epoxy coating
- Includes 10' long marine-rated duplex cable
- IP67 waterproof rating

BENEFITS

- Conserves battery power
- Provides a crisp white light for on-board nighttime tasks
- Extreme weatherability in the harshest conditions
- Easy 2-wire installation

Advanced LED Solutions

Imtra is at the forefront in the development of LED products for today's marine market. We are proud to offer a family of first-in-class high flux LED lights that combine proprietary drive electronics with advanced optics and efficient thermal management techniques. Imtra PowerLEDs let builders and boat owners enjoy all the advantages of the latest LED technology, backed by Imtra's expertise and support. To see our full line of LED products, visit www.imtra.com.

An excellent choice for:

- Marine
- Automotive
- Industrial
- Construction
- Agriculture

www.imtra.com



Photo: Intrepid Powerboats

PRODUCT DETAILS

Visual

Finish Options

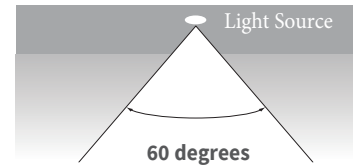


Electrostatic satin
black epoxy
IP67



Electrostatic satin
white epoxy
IP67

Beam Angle



Mechanical

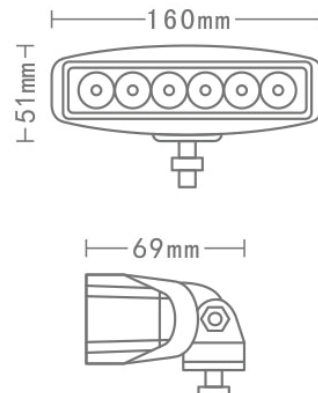
Housing Material

ADS 12 die-cast aluminum alloy

Mounting Method

316 Stainless steel bracket (supplied)

Dimensions



Electrical

Power Consumption

16W

Voltage

10-30VDC

Protections

Reverse Polarity, Over-Voltage

Certifications

