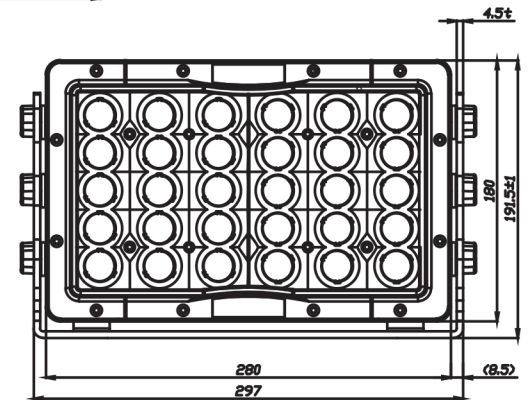
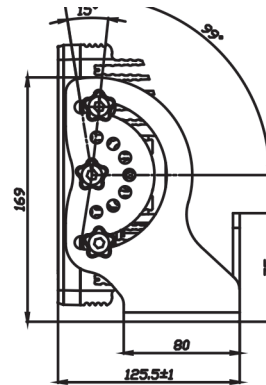


# Pitmaster 30-LED

Powered by



Also available in white



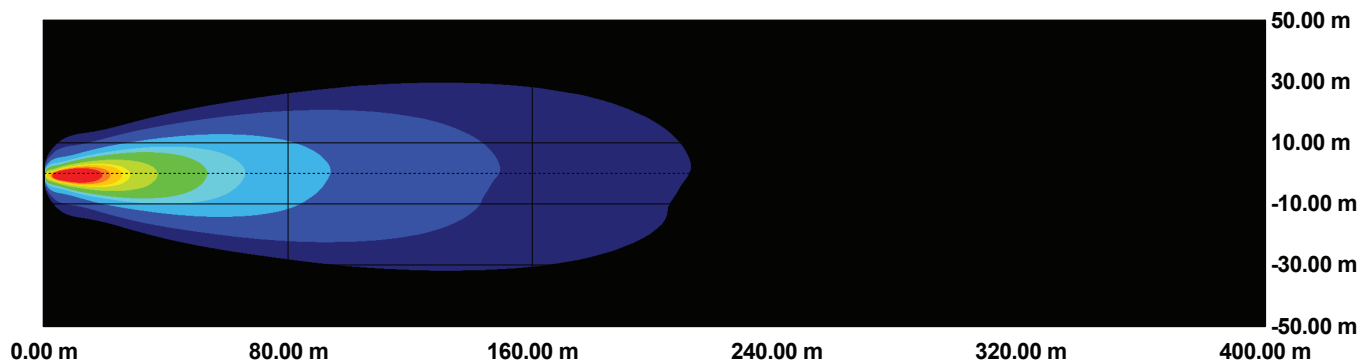
## PRODUCT DETAILS

Raw Lumens	17,600
Effective Lumens	11,100
Current Draw	6.25A/24V DC, 12.5A/12V, 1.25A/120VAC
Wattage	150W
Weight	7.3kg / 16.1 lb
Beam Angle Options	40°, 60°, 90°
Color Temperature	5,000 Kelvin
Input Voltage	11 - 65VDC or 110 - 277VAC
Wattage per LED	5W
IP Rating	IP68/IP69K
Vibration Dampened & Shock Proof	60 Grms
EMC/EMI Rating	CISPR 25 - Class 1
Cable Length	6' x 14awg triplex boat cable
Lens	Polycarbonate
Environmental Coating	Interpon 810
Bracket Material	304 Stainless Steel
Finish Options	White or Black
Warranty	5 Years
Safety Standards Compliance	CE, ROHS, UL1598, IEC 6247



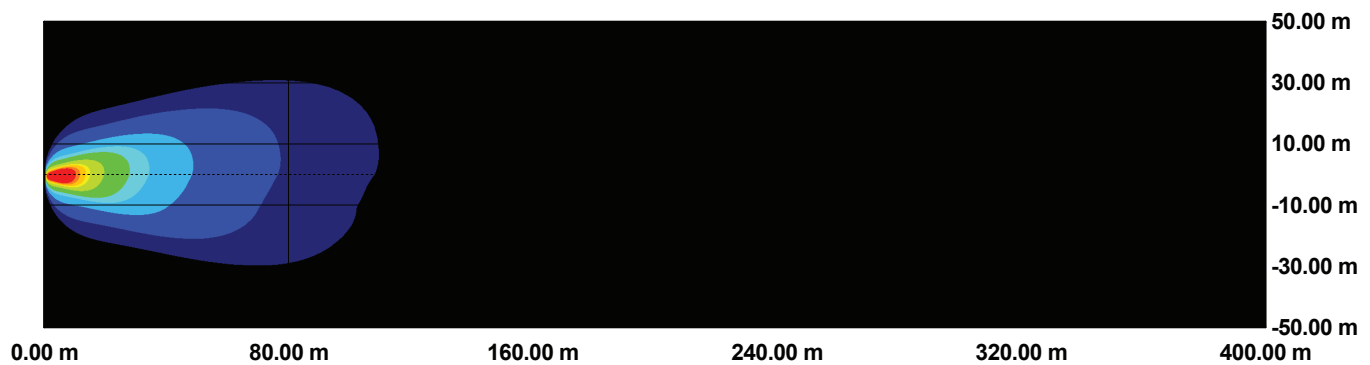
### FLOOD BEAM (40°)

Part No. AC version: ILPM05B3040PSE (black), ILPM05W3040PSE (white) DC version: ILPM05B3040 (black), ILPM05W3040 (white)



### WIDE FLOOD BEAM (60°)

Part No. AC version: ILPM05B3060PSE (black), ILPM05W3060PSE (white) DC version: ILPM05B3060 (black), ILPM05W3060 (white)



### SUPER WIDE FLOOD BEAM (90°)

Part No. AC version: ILPM05B3090PSE (black), ILPM05W3090PSE (white) DC version: ILPM05B3090 (black), ILPM05W3090 (white)

